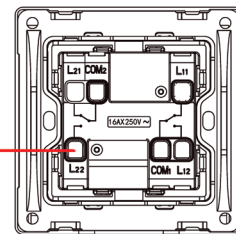
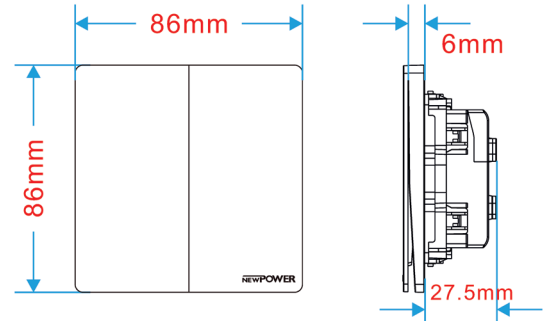


THE  
**THINNEST**  
you'll ever **see**

this newpower product Has good contact inside, assuring good electrical conductivity & safety use. It has a stylish modern, slim profile.

**AVAILABLE IN**  
MATTE BLACK,  
DARK GRAY  
WHITE

DESCRIPTION	DETAILS
Product Description	NEWPOWER SIZE 7X7 <b>2GANG 2WAY 16A WIDE SWITCH</b>
Product Catalog No.	1202
Standard	IEC60669-1:2017
Rated Current	16A max
Rated Voltage	250V AC
Frequency	50 / 60 Hz
Product Dimensions	86 x 86 x 31 mm
Accessories	Mounting screws - 2 x M3.5
Mounting	Flush Mounting
Fixing Center	60.3 mm
Auxiliary fixing options	4 Corners
Mounting box size	35 mm
Actuating member	Rocker
Endurance	40,000
Enclosure Material	PC
Contact material	Copper
Terminal for current carrying part	Phosphor copper 90-92%
Screw terminal	Steel
Terminal Identifier	COM, L1 and L2 x2 Group
Conductor size	4mm <sup>2</sup>
Terminal Capacity	4 x 2.5 mm <sup>2</sup> 3 x 4 mm <sup>2</sup>
Tightening torque	1.2 Nm
Screw size	M4



**NEW**

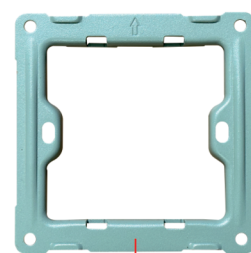
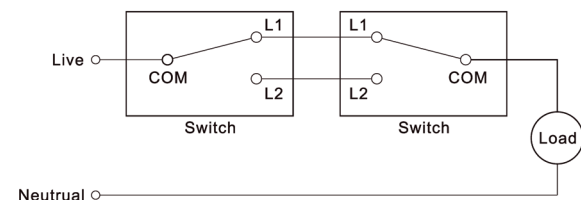


**OLD**

**New Terminal Design:**  
-The new saddle-shaped terminal locks the wire without damage, and the screws never come off.

Pattern No.:6+6  
SBL : 200W

### WIRING DIAGRAMS



Steel structure base

